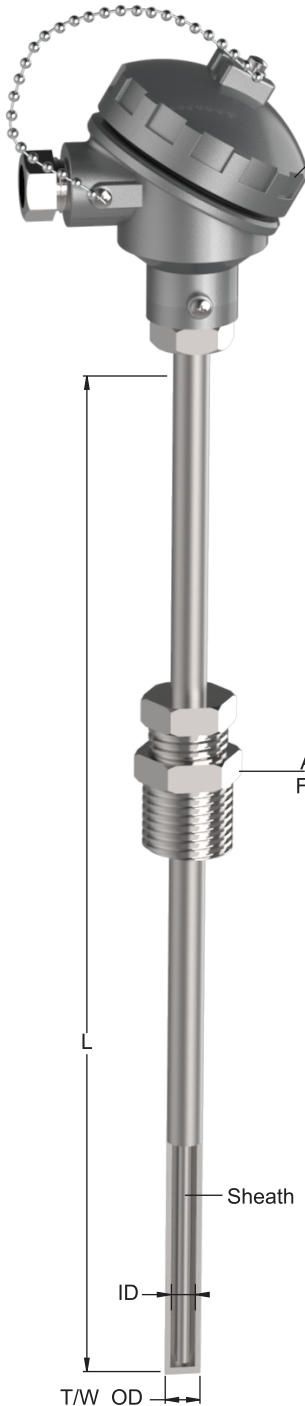


THERMOCOUPLE WITH THERMOWELL



T-501

Head Termination Style

Junction Style

Thermocouple Element

Sheath Diameter "OD"

Adj. Comp. Fitting

Sheath Material

Thermowell "OD" (mm)

Thermowell "ID" (mm)

Thermowell Material

Sheath

Fitting

Nominal Length of T/C "L" (mm)

Calibration Standard

A	Die cast Alu A TYPE
B	Die cast Alu B TYPE
C1	Die cast Alu IP-67 (Single Entry)
C2	Die cast Alu IP-67 (Double Entry)
SS	SS- Head
M	Miniature Die cast Aluminium
P	Plastic
EB1	Die cast Alu Explosion / Flame proof IIB (Zone1 & 2)
EB2	SS Explosion / Flame proof IIB (Zone1 & 2)
EC1	Die cast Alu Explosion / Flame proof IIC (T6)
EC2	SS Flame proof IIC (T6)
EC3	Die cast Alu Explosion / Flame proof IIC (T6) ATEX

GN	Grounded Rounded Tip
UN	Ungrounded Rounded Tip

Type of T/C	Description
K	Chromel/Alumel
J	Iron/Constantan
N	Nicrosil-Nisil
T	Copper/Constantan
E	Chromel/Constantan
Other	Consult Factory
Ex. :	If Simplex - K Duplex - KK

1	Ø1mm
1.5	Ø1.5mm
3	Ø3mm
4.5	Ø4.5mm
6	Ø6mm
8	Ø8mm
Other	Consult Factory

316	SS 316
310	SS 310
600	Inconel-600
Other	Consult Factory

316	SS 316
310	SS 310
304	SS 304
600	Inconel-600
800	Inconel-800
446	HRS- 446
Other	Consult Factory

Threads	1/4"
	1/2"
	3/8"
	3/4"
	1"
	1 1/4"
B.S.P. / N.P.T.	1 1/2"
	2"
	M-Thread
M-Thread	M20X1.5, M18X1.5, M33X2, M27X2
Other	Consult Factory
N/A	Not Applicable

A	ANSI MC96.1
D	DIN
I	IEC