


Highly Accurate Two Color Online Infrared Non-Contact Pyrometer with Bluetooth  V2.0/ USB 2.0  
 € 600°C to 2500°C

**A450C PL/TL** is a highly accurate digital two colour IR pyrometer from A series family for non contact temperature measurement. The Pyrometer measures the temperature of an object by calculating the ratio of the energies at two different wavelength bands. The ratio technique eliminates and reduces errors in temperature measurement caused by changes in Emissivity, Surface finish and energy absorbing materials such as Water vapour etc.

The two colour IR Pyrometer is used to measure the temperature in variety of applications in Steel(Induction heating, Forging, Annealing, Welding, Sintering and Rolling mills), Cement(Kiln burning zone ), Glass(Gob temperature measurement) and Crystal growing.



## Technical specifications

Model	A450C PL/TL
Temperature Range (Analog sub-range adjustable)	600°C....1600°C 800°C....2500°C
Spectral Range	0.7....1.15 µm
Photodetector Type	Si/Si
Distance to Spot Size Ratio	100:1 (600°C....1600°C) 200:1 (800°C.....2500°C)
Emissivity (ε)	0.1....1.0 adjustable (Single color mode)
Emissivity Slope (ε1 / ε2)	0.75...1.25 slope adjustable (Two color mode)
Response Time	10 msec
Accuracy	± 0.5% of the measured value + 1°C
Repeatability	0.1% of reading in °C + 1°C
Sighting Options	Laser Pilot Light(PL) / Through The Lens (TL)
Analog Output	0-20mA, 4-20mA, 0-10V (User selectable)
Digital Output	Bluetooth V2.0/USB 2.0(Select anyone while ordering) RS-232/RS-485 (User selectable) *At a time only one digital output possible
Operating Temp. Range	0°C.....70°C 0°C.....200°C (With water cooling jacket)
Storage Temp. Range	-20°C...70°C
Adjustable Parameters and Features via Software	Emissivity, Emissivity Slope, Response Time, Clear Time( Peak Picker), Analog Output, Analog Scale(Sub range), Sensor type (Switches b/w 2-color or single color), Switch off level, Unit Of Temperature(°C/°F), Communication mode(Comm.mode), Record feature etc
Power Supply	12V to 28V DC with reverse voltage protection
Power Consumption	Max 2.5 watt
Laser Power	<1 m watt
Protection Class	IP65
Housing	Stainless Steel
Isolation	Power supply, *Digital output and Analog output are galvanically isolated against each other
Operating Humidity	10-95%, Non-Condensing Conditions
Weight & Dimensions	600g Dia= Ø 49.5 mm; Length=118mm

## Features

- Wide temperature ranges from 600°C to 2500°C.
- Spectral range 0.7 µm....1.15 µm
- Fast response time within milliseconds
- Two Color model
- Laser targeting / Through the lens view finder sighting options
- Analog output options available like 0...20mA, 4...20mA and 0...10V
- Bluetooth V2.0 and RS-232/RS-485 Serial interface
- User friendly PC software for communication

## Standard Scope of Supply

- Pyrometer with Laser pilot light(PL)/Through the lens(TL) sighting(user can select while ordering)
- Analog output 4...20mA, 0..20mA, 0..10V
- Digital Interface RS-232 / RS-485(user selectable)
- Bluetooth V2.0
- 5 mtr long connection cable with connector
- 1.5 mtr. Communication Cable
- Calibration certificate, Software & Operation manual

## Optional

- Mechanical & Electrical Accessories
- Extra Cable Lengths

## Applications

- Induction Heating
- Annealing
- Welding
- Forging
- Sintering
- Melting
- Rolling Mills
- Rolling Kilns
- Crystal growing

## Spot Sizes

Manufactured working distances WD (mm)	Spot Sizes (mm)	
	600° - 1600°C (FOV) 100:1	800° - 2500°C (FOV) 200:1
350	3.5	1.75
500	5	2.5
700	7	3.5
1000	10	5
1500	15	7.5
2000	20	10
2500	25	12.5
3000	30	15
5000	50	25
Infinite (∞)	8 (min.)	5 (min.)
Aperture (A)	7	4

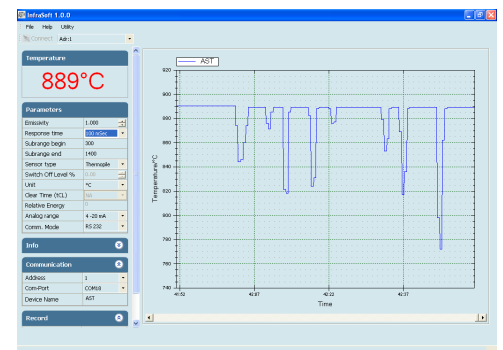
## Software

### AST Inrasoft

AST "Inrasoft" software is under standard scope of supply. It offers possibilities of connecting three pyrometers simultaneously for parameter setting, view real time graph, offline graph and to evaluate measuring data. Communication between the pyrometer and the software is implemented via a cable connected between the pyrometer and the PC serial port. It comes with record feature, spot size calculator and parameter settings features.

Some of the parameters adjustable via software are

- Emissivity, Response Time,
- Clear Time(Peak Picker),
- Analog Output,
- Sub Range,
- Unit Of Temperature(°C/°F),
- Communication mode(Comm.mode).



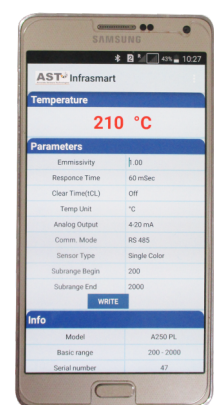
### AST Infrasmart

AST Infrasmart is an android application used to communicate a pyrometer with mobile devices. This application works via bluetooth after pairing with mobile.

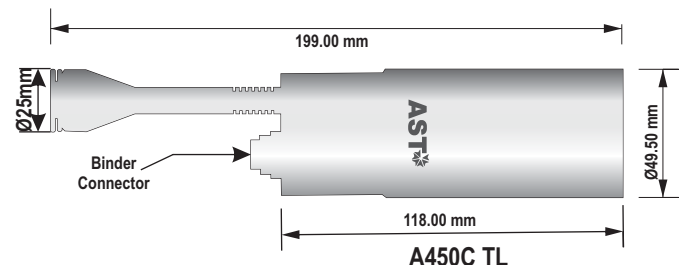
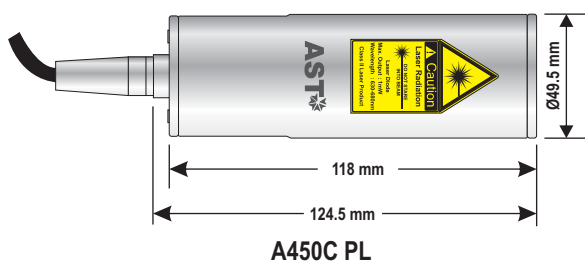
APK file for this android application will be provided with device.

Number of parameters set through the application are :


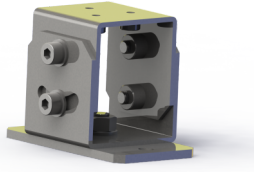






- Emissivity
- Response time
- Clear Time
- Unit of Temperature
- Analog Output
- Communication Mode
- Sensor Type
- Sub Range
- Data Logging



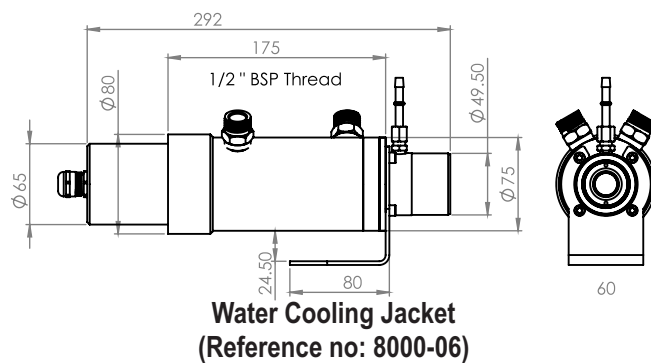
## Pyrometer Drawing



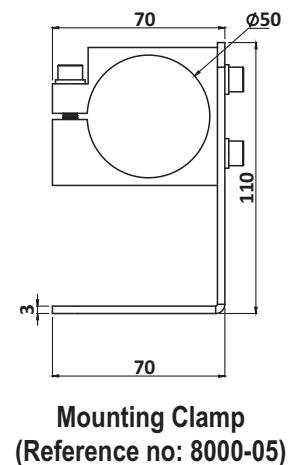
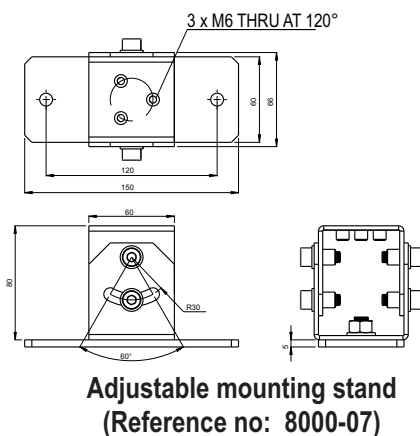
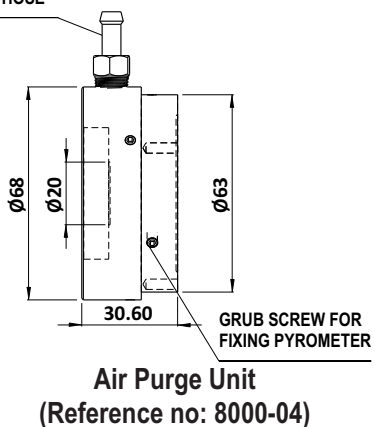
## Accessories

<p><b>Water Cooling Jacket</b> (Reference no: 8000-06)</p>	<p><b>Adjustable Mounting Stand</b> (Reference no: 8000-07)</p>	<p><b>Air Purge Unit</b> (Reference no: 8000-04)</p>	<p><b>Adjustable Mounting Support</b> (Reference no: 8000-05)</p>
			
<p><b>Display &amp; Parameterizer P-120</b> (Reference no: 9001-01)</p>	<p><b>Converter RS-232 ↔ RS-485</b> (Reference no: 9000-03)</p>	<p><b>Power supply Input 110/230V AC</b> Reference No. 9000 - 02 Output 24 V DC, 0.7Amp.</p>	<p><b>Temperature Indicator</b> (Reference no: 9000-01)</p>
			

## Pyrometer Accessories Drawings



FOR 6 mm INSIDE  
DIAMETER HOSE



## Tempsens Instruments (I) Pvt. Ltd.

B-188 Road No.-5, M.I.A., Madri, Udaipur - 313 003 (Raj) INDIA

Ph.: +91-294-3057700 to 800, Fax.: +91-294-3057750,

E-mail: info@tempsens.com

[www.tempsens.com](http://www.tempsens.com)